

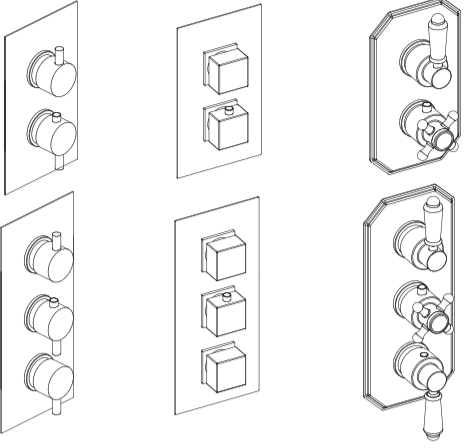
USER MANUAL



Thank you for choosing Better Bathrooms.
Please read this manual before installing your product
and keep for future reference

better
bathrooms

Product name –Concealed Shower Valve
Product code - BeBa_26806/BeBa_26807/BeBa_26808/
BeBa_26809/BeBa_26810/BeBa_26811/BeBa_26812/
BeBa_26813/BeBa_26814/BeBa_26815/BeBa_26816/
BeBa_26817 BeBa_27726/BeBa_27727/BeBa_27728/
BeBa_27734/BeBa_27735/BeBa_27736



- Single-person assembly
- We always recommend using professional tradespeople to install your product

V4_07.12.2021

Congratulations on your purchase

And welcome to our growing gang of savvy shoppers

We're on a mission to bring you extraordinary bathroom products, for less. From modern to traditional style ceramics, plus the gorgeous fixtures, fittings and furniture to match. So, you can fall in love with your space every single day.

As one of the UK's largest independent bathroom stores, we've received countless awards; including the National Business Awards UK, the Digital Entrepreneur Awards and being placed on The Sunday Times Fast Track 100.

We hope your new product exceeds your highest expectations. However, if you experience any problems, please:

- log in to your account and contact our customer services team via your self-serve portal-betterbathrooms.com/CustomerAccount/Login.
- contact us via-betterbathrooms.com/content/contact-us.

Important information

- Please read these instructions thoroughly and retain for future reference
- Water pressures must be balanced. Always ensure to flush the system prior to installation.

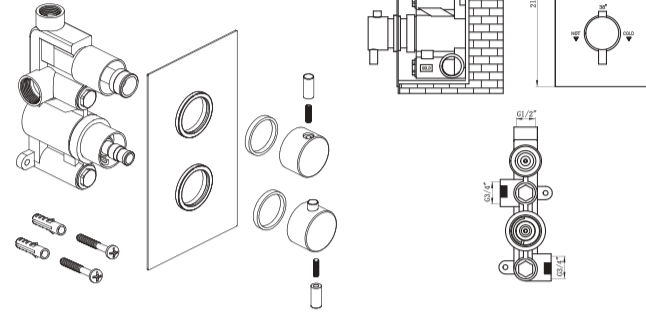
Always check walls for pipes and cables before drilling.

Maximum Static Pressure 10 bar
 Maximum Working Pressure 5 bar
 Minimum Working pressure 0.1 bar
 Hot water supply – 55-65c
 Cold water supply – 5 -25c
 Flow Rates

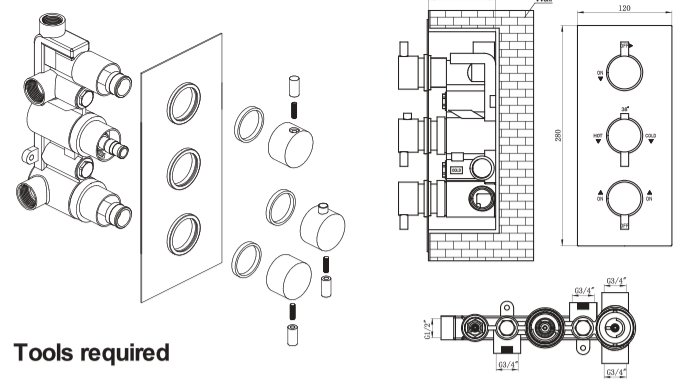
Bar	0.1	0.2	0.5	1	1.5	2
L/Min	6	8.5	12.3	17.1	21	24.3

Parts / Diagrams

TWIN VALVE:

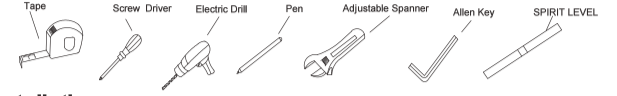


TRIPLE VALVE:



Tools required

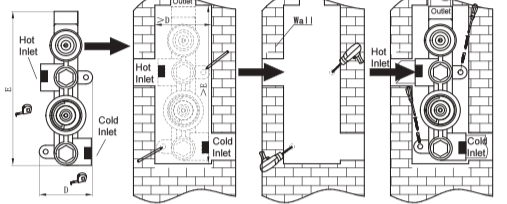
- Protective cloth



Installation

1. Determine the location of the shower valve.
 Create the recess in the wall to accommodate the mixer being installed.
 Mark the installation holes through the lugs in the mixer body.
 Drill the holes.
 Insert the wall plugs.
 Secure the mixer into position using the screws provided
 Connect the inlet and outlet pipe work to the mixer using an adequate sealing method.
 Turn on the water supply and check for leaks before fitting the cover plate.

TWIN VALVE:



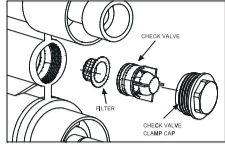
Maintenance

After a period of use, debris or limescale can build up around the filters of the thermostat or the non-return valve, which will affect the performance of the product.

To resolve this, remove the thermostat or non-return valve from the mixer and clean.

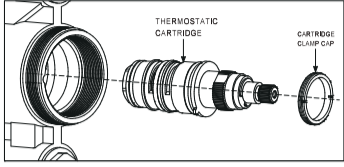
Turn off the water supply and turn on the mixer, to drain any water inside

Maintenance (Filter)



- 1) Remove the check valve clamp cap.
- 2) Use pliers to remove the check valve and filter.
- 3) Wash the filter with clean running water, dry and lightly grease the seals. (only use silicone grease).
- 4) Put back the filter and check valve, then tighten the clamp cap.

Maintenance (Thermostatic Cartridge)



The concealed thermostatic cartridges should give trouble free service, but in the event of failure, servicing is straight forward.

- 1) Remove the cartridge clamp cap .
- 2) Pull out the thermostatic cartridge.
- 3) Wash the thermostatic cartridge with clean running water, dry and lightly grease the seals (only use silicone grease).
- 4) Put back the thermostatic cartridge, then tighten the clamp cap.

CLEANING

To maintain the surface of your product, wipe with a clean damp cloth and wipe dry. Do not use abrasive cleaning agents or materials which can strip and scratch the surface; the use of these agents or materials can invalidate your guarantee. It is recommended to wipe and dry on a regular basis.

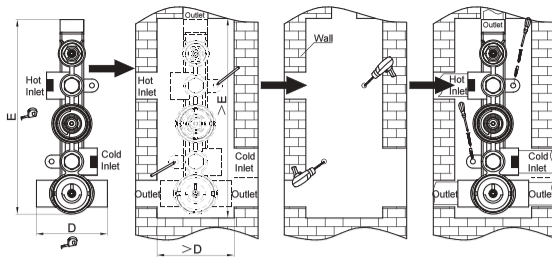
For more information

- visit betterbathrooms.com
- email customerservices@buyitdirect.co.uk
- call 03303903062
- write to Trident Business Park, Neptune Way, Huddersfield, HD2 1UA.

**better
bathrooms**

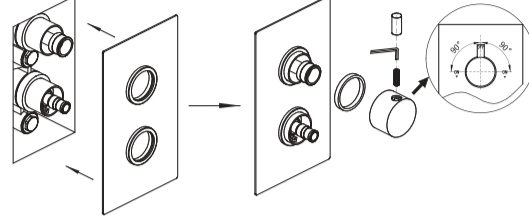
Part of the BuyItDirect Group

TRIPLE VALVE:

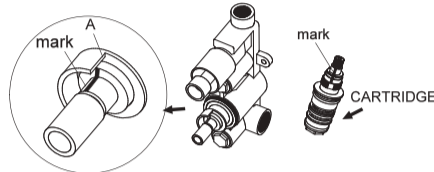


2. Once checked, install the cover plate, silicone should be applied between the plate and the wall, push this onto the mixer, ensuring correct orientation, so that the markings match the control on the mixer

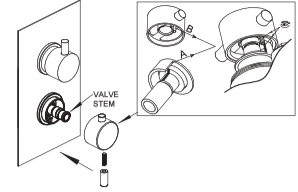
Finally install the handle assembly, by fitting the handle to the valve, then tighten the retaining screw, followed by the peg or cover cap



3. To ensure correct temperature setting, Face A on the stop ring should be aligned with the mark on the thermostatic cartridge, if it is not, align these by turning the spindle before fitting the handle



4. Once the marks are aligned place the handle onto the thermostat so that lug B on the inside of the handle sits against Face A on the stop ring, once the handle is fitted onto the thermostat, turn the handle towards cold, then back to the 38c position, if the correct alignment has been achieved you will need to press the button and continue turning to go beyond the 38c stop position.



OPERATION

To open the mixer, turn on/off handle anti-clockwise.
To close the mixer, turn on/off handle clockwise.

To decrease temperature, turn the temperature control handle clockwise.
To increase temperature, turn the temperature control handle anti-clockwise.

RECALIBRATE

The temperature control handles on this product are factory set and should require no adjustment.

However, if for any reason the handles and/or the cartridge is removed, it is important the following procedures are followed.

TROUBLE SHOOTING

1. Output water temperature does not correspond with temperature set
Cause: Thermostat has not been adjusted base on the existing home water system
Remedy: Adjust the thermostat , refer to "Temperature Setting" procedure.
Cause: Hot Water temperature too low.
Remedy: Adjust the water heater , increase hot water temperature to 65 °C.
2. Crossflow, cold water being forced into hot water pipe, or vice versa, when valve is closed
Cause: Non-return valves dirty or leaking
Remedy: Clean the non-return valves or exchange if necessary
3. Very low flow or no flow
Cause: Supply pressure inadequate
Remedy: Check hot and cold feeds . If a pump has been installed, please check to see if the pump is working.(the valve will shut down if either the cold or hot water supply fails)
4. Water will not run hot enough when first installed
Cause: Wrong maximum temperature setting
Remedy: Adjust the maximum temperature , refer to "Temperature Setting" procedure.

USER MANUAL

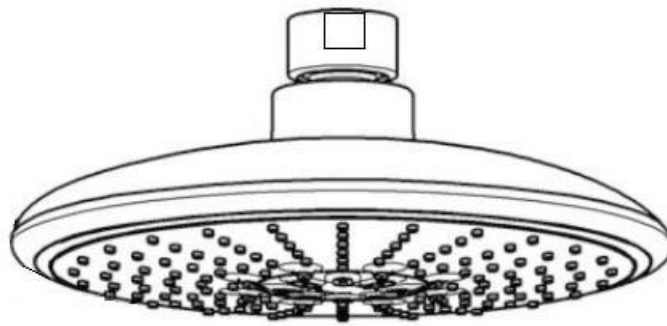


Thank you for choosing Better Bathrooms.
Please read this manual before installing your product
and keep for future reference.

Better
Bathrooms.com

Shower Head

- Shower arm supplied separately



Please note: Image is for illustrative purposes only and may differ slightly to the actual product

- **Single-person assembly**
- **Tools required**
- **We always recommend using professional tradespeople to install your product**

V1_2.6.20

Congratulations on your purchase

And welcome to our growing gang of savvy shoppers

We're on a mission to bring you extraordinary bathroom products, for less. From modern to traditional style ceramics, plus the gorgeous fixtures, fittings and furniture to match. So, you can fall in love with your space every single day.

As one of the UK's largest independent bathroom stores, we've received countless awards; including the National Business Awards UK, the Digital Entrepreneur Awards and being placed on The Sunday Times Fast Track 100.

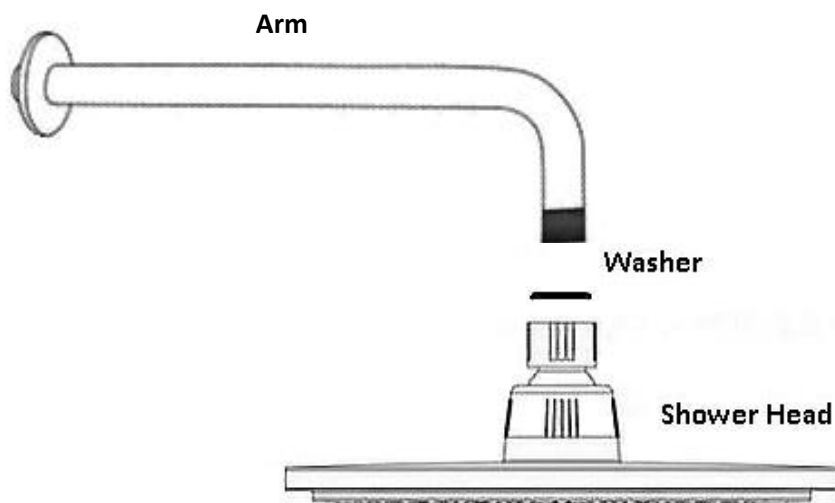
We hope your new product exceeds your highest expectations. However, if you experience any problems, please:

- call our friendly UK call centre on **0871 244 0935** (9am-7pm Monday to Friday, or 10am-4pm Saturday and Sunday), or
- send us a message via **customerservices@buyitdirect.co.uk**

Important information

- Please read these instructions thoroughly and retain for future reference.
- Manufactured to BS EN1112 Shower outlets for sanitary tapware.

Parts



Please note that Parts are for illustrative purposes only and may differ slightly to the actual product

1. Washer
2. Shower head

Tools required

Spanner

Installation

Please note: No tools are required

1. Place the washer into swivel joint of the shower head (please refer to parts diagram for location).
2. Connect the swivel joint to the shower arm (not supplied) and tighten using a spanner, taking care not to damage the nut.

Troubleshooting

Poor flow from shower head

1. This can be caused by poor water flow to the shower head, check the flow to the shower head.
2. There may be a blockage in the shower head, clean the shower head.

Maintenance

- Remove the shower head and turn on the mixer. Check the flow of water, and if this is poor, it is not an issue with the shower head, and further investigation is required. Example: insufficient pressure in the system or blockage in the mixer or pipework.
- If your shower head has rubber nozzles, rub these with your finger to remove any blockage then turn on the shower, but do not shower immediately, allow the hand shower to flush through for 10 seconds.
- If the shower head does not have rubber nozzles and only has holes, brush the holes with a soft brush under warm running water to remove any blockage.
- Replace the shower head if the issue is not a pressure issue, blockage in the mixer and the shower head has been cleaned.

Cleaning

To maintain the surface finish of your product, wipe clean after every use, using a clean damp cloth, a mild detergent mixture can be used. Do not use abrasive cleaning agents or materials on the product surface.

If any harsh chemicals come into contact with the surface of the product during bathroom cleaning, rinse off immediately, wipe clean and dry.

For more information

- visit betterbathrooms.com
- email customerservices@buyitdirect.co.uk
- call 0871 244 0935
- write to Trident Business Park, Neptune Way, Huddersfield, HD2 1UA

Better
bathrooms.com 

Part of the BuyItDirect Group

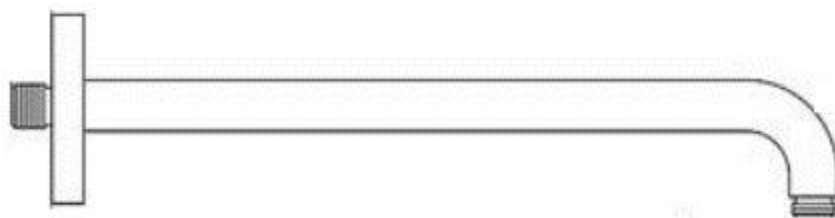
USER MANUAL



Thank you for choosing Better Bathrooms.
Please read this manual before installing your product
and keep for future reference.



Wall Shower Arm



Please note: Image is for illustrative purposes only and may differ slightly to the actual product

- **Single-person assembly**
- **Tools required**
- **We always recommend using professional tradespeople to install your product**

Congratulations on your purchase

And welcome to our growing gang of savvy shoppers

We're on a mission to bring you extraordinary bathroom products, for less. From modern to traditional style ceramics, plus the gorgeous fixtures, fittings and furniture to match. So, you can fall in love with your space every single day.

As one of the UK's largest independent bathroom stores, we've received countless awards; including the National Business Awards UK, the Digital Entrepreneur Awards and being placed on The Sunday Times Fast Track 100.

We hope your new product exceeds your highest expectations. However, if you experience any problems, please:

- call our friendly UK call centre on **0871 244 0935** (9am-7pm Monday to Friday, or 10am-4pm Saturday and Sunday), or
- send us a message via **customerservices@buyitdirect.co.uk**

Important information

- Please read these instructions thoroughly and retain for future reference.

Parts

Shower arm

Wall trim plate

Pipe fitting – ½" female (not supplied)

Tools required

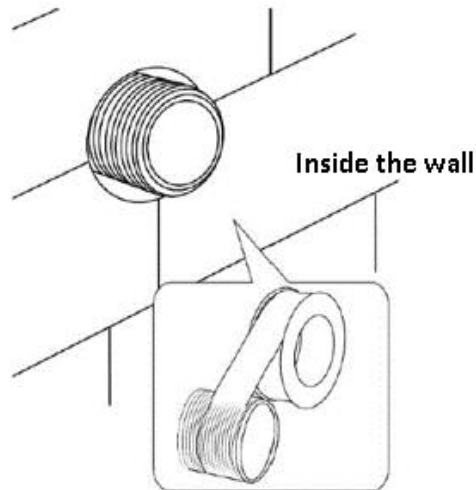
PTFE tape

Installation

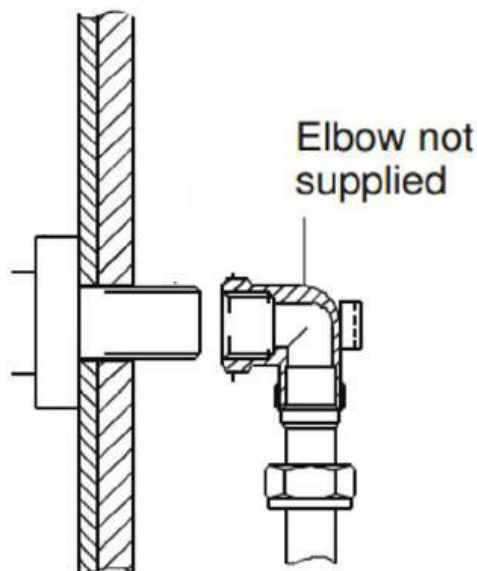
Please note: The pipework and connection method should be prepared within the wall

Recommended method is to secure the arm to a wall elbow which has been fixed rigidly within the wall.

1. Fit the wall trim plate onto the arm then apply sufficient PTFE tape to the thread of the shower arm which will go into the wall, so that when aligned, the arm will be sealed within the wall elbow.



2. Once PTFE has been applied push the shower arm into the hole in the wall and connect it to the elbow then turn the shower arm into the elbow until a seal is created.



3. Once fitted and checks have been carried out for leaks, push the wall trim plate back to the finished wall. Silicone can be applied behind to prevent moisture passing behind the wall trim plate.

Cleaning

To maintain the surface finish of your product, wipe clean after every use, using a clean damp cloth, a mild detergent mixture can be used. Do not use abrasive cleaning agents or materials on the product surface.

If any harsh chemicals come into contact with the surface of the product during bathroom cleaning, rinse off immediately, wipe clean and dry.

For more information

- visit betterbathrooms.com
- email customerservices@buyitdirect.co.uk
- call 0871 244 0935
- write to Trident Business Park, Neptune Way, Huddersfield, HD2 1UA

Better
bathrooms.com 

Part of the BuyItDirect Group

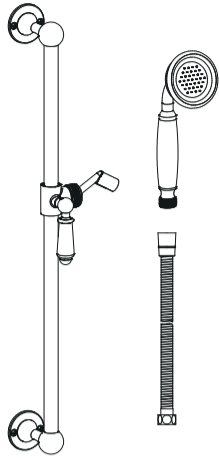
USER MANUAL



Thank you for choosing Better Bathrooms.
Please read this manual before installing your product
and keep for future reference

better
bathrooms

Product name - Traditional Slide Rail Kit with Handset
Product code - BeBa_26746



Congratulations on your purchase

And welcome to our growing gang of savvy shoppers

We're on a mission to bring you extraordinary bathroom products, for less. From modern to traditional style ceramics, plus the gorgeous fixtures, fittings and furniture to match. So, you can fall in love with your space every single day.

As one of the UK's largest independent bathroom stores, we've received countless awards; including the National Business Awards UK, the Digital Entrepreneur Awards and being placed on The Sunday Times Fast Track 100.

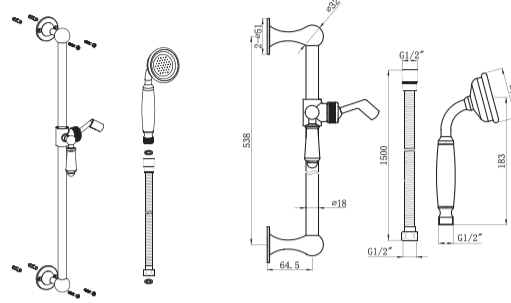
We hope your new product exceeds your highest expectations. However, if you experience any problems, please:

- log in to your account and contact our customer services team via your self-serve portal-betterbathrooms.com/CustomerAccount/Login.
- contact us via-betterbathrooms.com/content/contact-us.

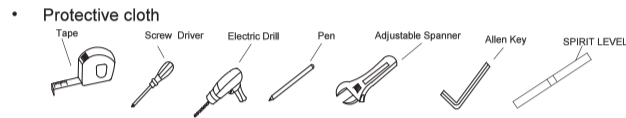
Important information

- Please read these instructions thoroughly and retain for future reference
 - Always ensure to flush the system prior to installation.
- Always check the wall before drilling to ensure no pipes or cables can be damaged

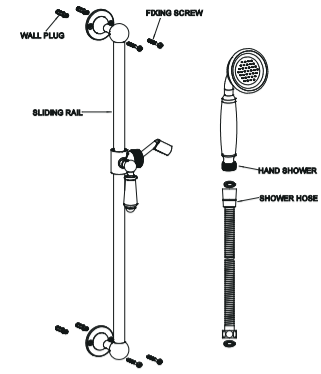
Parts / Diagrams



Tools required



Installation



1. Locate the rail on the wall ensuring that when the hand shower is at its highest point the hose is not under tension, also ensuring the rail is vertical using a spirit level.
2. Once this is done, place the wall brackets on each of the rail and mark the position of the fixing holes.
3. Drill the wall 8mm dia and to 45mm depth and insert the wall plugs
4. Fit the slider bracket/hand shower holder to the rail ensuring the hand shower holder on the rail has the wider opening facing upwards.
5. The hand shower should be connected to the cone end of the hose, ensuring to fit the seals and the nut end to the mixer, then tighten.

CLEANING

To maintain the surface of your product, wipe with a clean damp cloth and wipe dry. Do not use abrasive cleaning agents or materials which can strip and scratch the surface; the use of these agents or materials can invalidate your guarantee. It is recommended to wipe and dry on a regular basis.

- Single-person assembly
- We always recommend using professional tradespeople to install your product

V2_07.12.2021

For more information

- visit betterbathrooms.com
- email customerservices@buyitdirect.co.uk
- call 03303903062
- write to Trident Business Park, Neptune Way, Huddersfield, HD2 1UA.

better
bathrooms

Part of the BuyItDirect Group

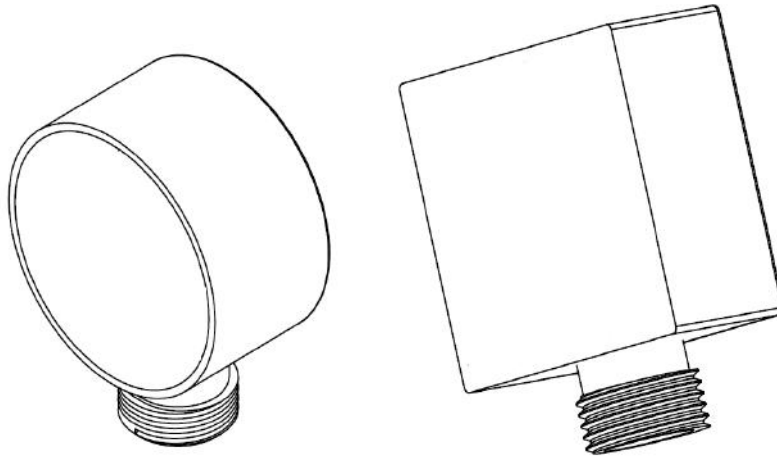
USER MANUAL



Thank you for choosing Better Bathrooms.
Please read this manual before installing your product
and keep for future reference.

Better
Bathrooms.com

Square and Round Wall Elbow BeBa_26371 & BeBa_26372



Please note: Image is for illustrative purposes only and may differ slightly to the actual product

- **Single-person assembly**
- **Tools required**
- **We always recommend using professional tradespeople to install your product**

V1_11.6.20

Congratulations on your purchase

And welcome to our growing gang of savvy shoppers

We're on a mission to bring you extraordinary bathroom products, for less. From modern to traditional style ceramics, plus the gorgeous fixtures, fittings and furniture to match. So, you can fall in love with your space every single day.

As one of the UK's largest independent bathroom stores, we've received countless awards; including the National Business Awards UK, the Digital Entrepreneur Awards and being placed on The Sunday Times Fast Track 100.

We hope your new product exceeds your highest expectations. However, if you experience any problems, please:

- call our friendly UK call centre on **0871 244 0935** (9am-7pm Monday to Friday, or 10am-4pm Saturday and Sunday), or
- send us a message via **customerservices@buyitdirect.co.uk**

Important information

- Please read these instructions thoroughly and retain for future reference.

Parts

Square or round wall elbow

Pipe fitting – ½" female (not supplied)

Tools required

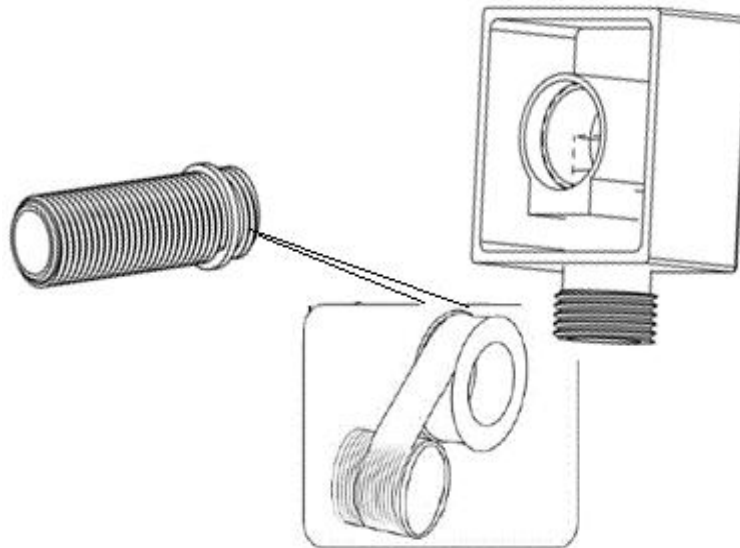
PTFE tape

Installation

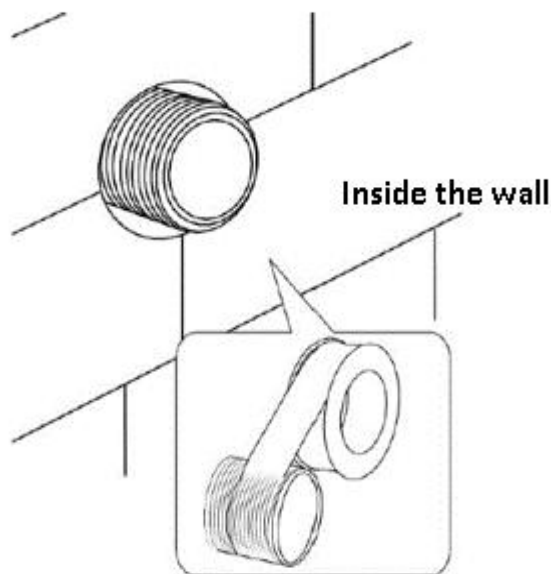
Please note: The pipework and connection method should be prepared within the wall

Recommended method is to secure the arm to a wall elbow which has been fixed rigidly within the wall.

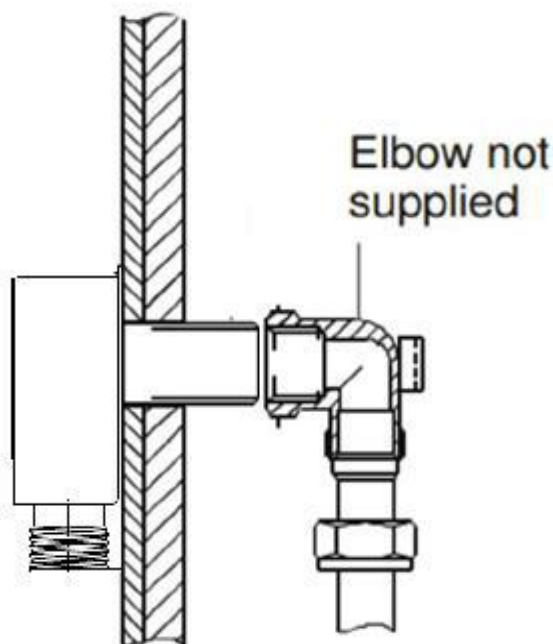
1. Apply sufficient PTFE tape to the short end of the threaded bar and screw this into the rear of the wall elbow until a seal is created.



2. Apply sufficient PTFE to the thread of the long thread of the wall elbow which will go into the wall. Place the thread through the hole in the wall and screw this into the fitting within the wall.



3. Continue screwing the thread into the fitting until a seal is created and the outlet for the hose is pointing downwards and, the wall elbow is flush with the finished wall. Silicone can be applied if necessary.



Please note: Once installation is completed, turn on the water supply and check for any leaks

Cleaning

To maintain the surface finish of your product, wipe clean after every use, using a clean damp cloth, a mild detergent mixture can be used. Do not use abrasive cleaning agents or materials on the product surface.

If any harsh chemicals come into contact with the surface of the product during bathroom cleaning, rinse off immediately, wipe clean and dry.

For more information

- visit betterbathrooms.com
- email customerservices@buyitdirect.co.uk
- call 0871 244 0935
- write to Trident Business Park, Neptune Way, Huddersfield, HD2 1UA

Better
bathrooms.com

Part of the BuyItDirect Group